

Fig. 9—Console Wiring Diagram—Chrysler

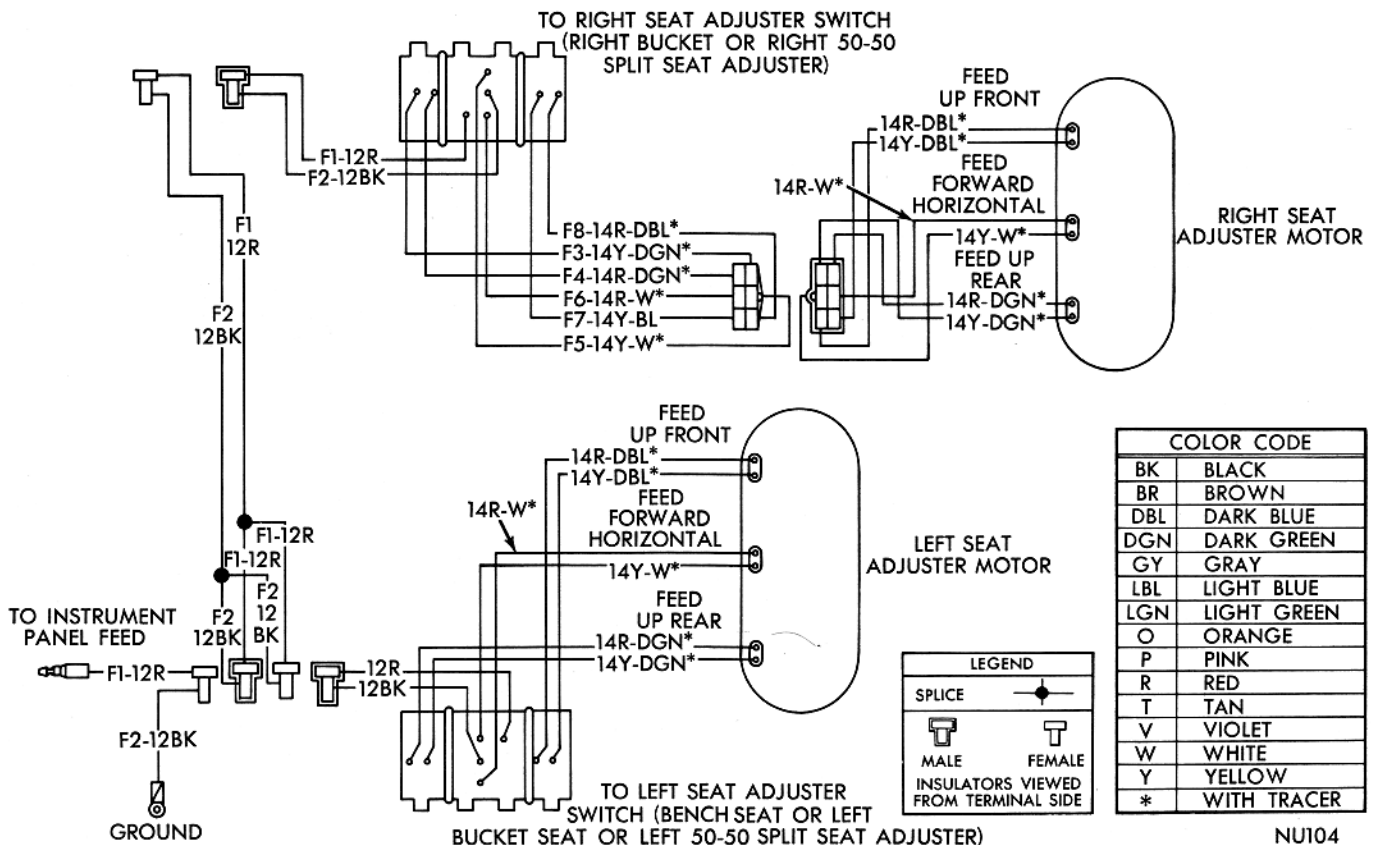
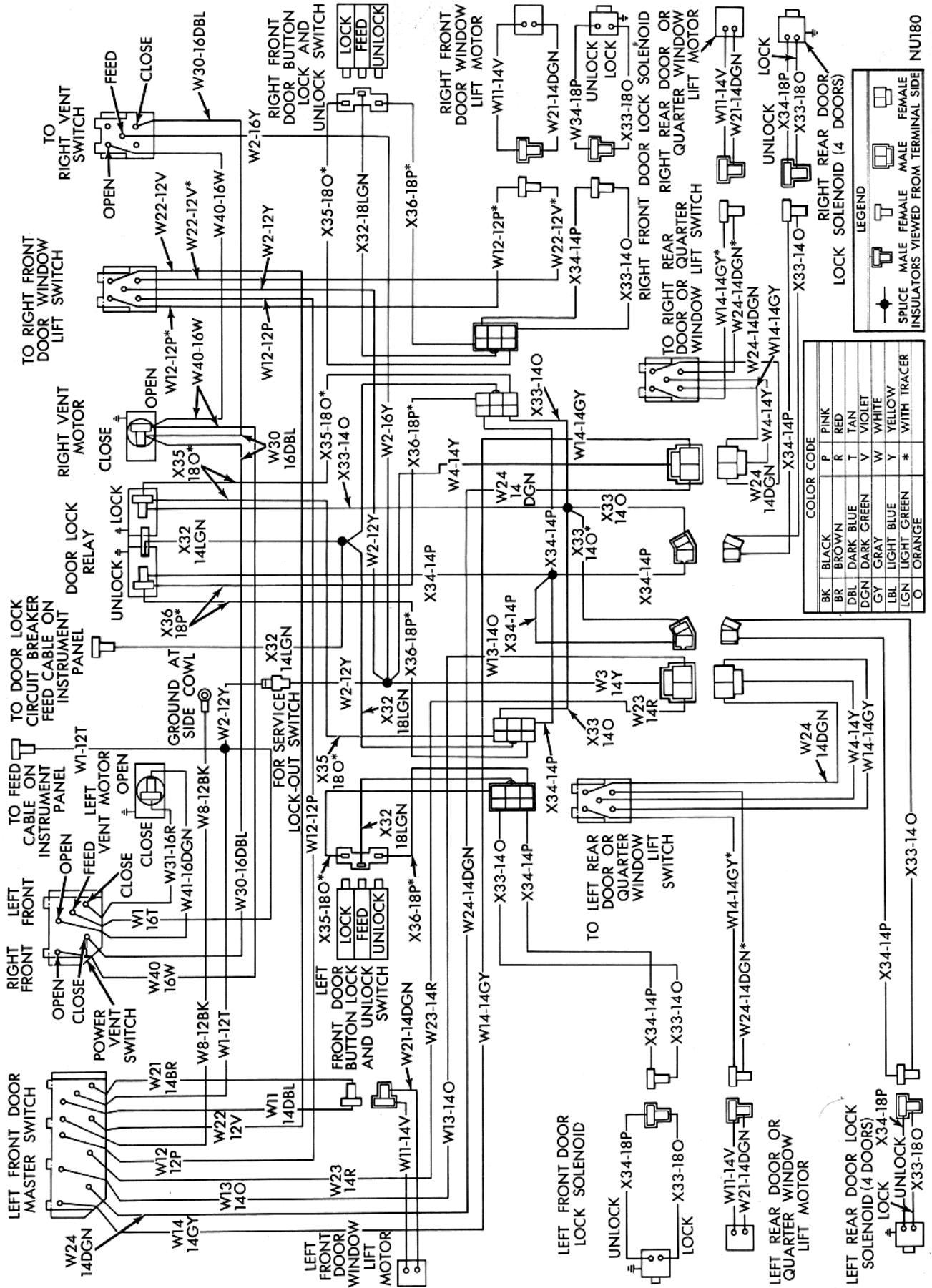


Fig. 10—Electric Seat Adjuster Wiring Diagram—Chrysler

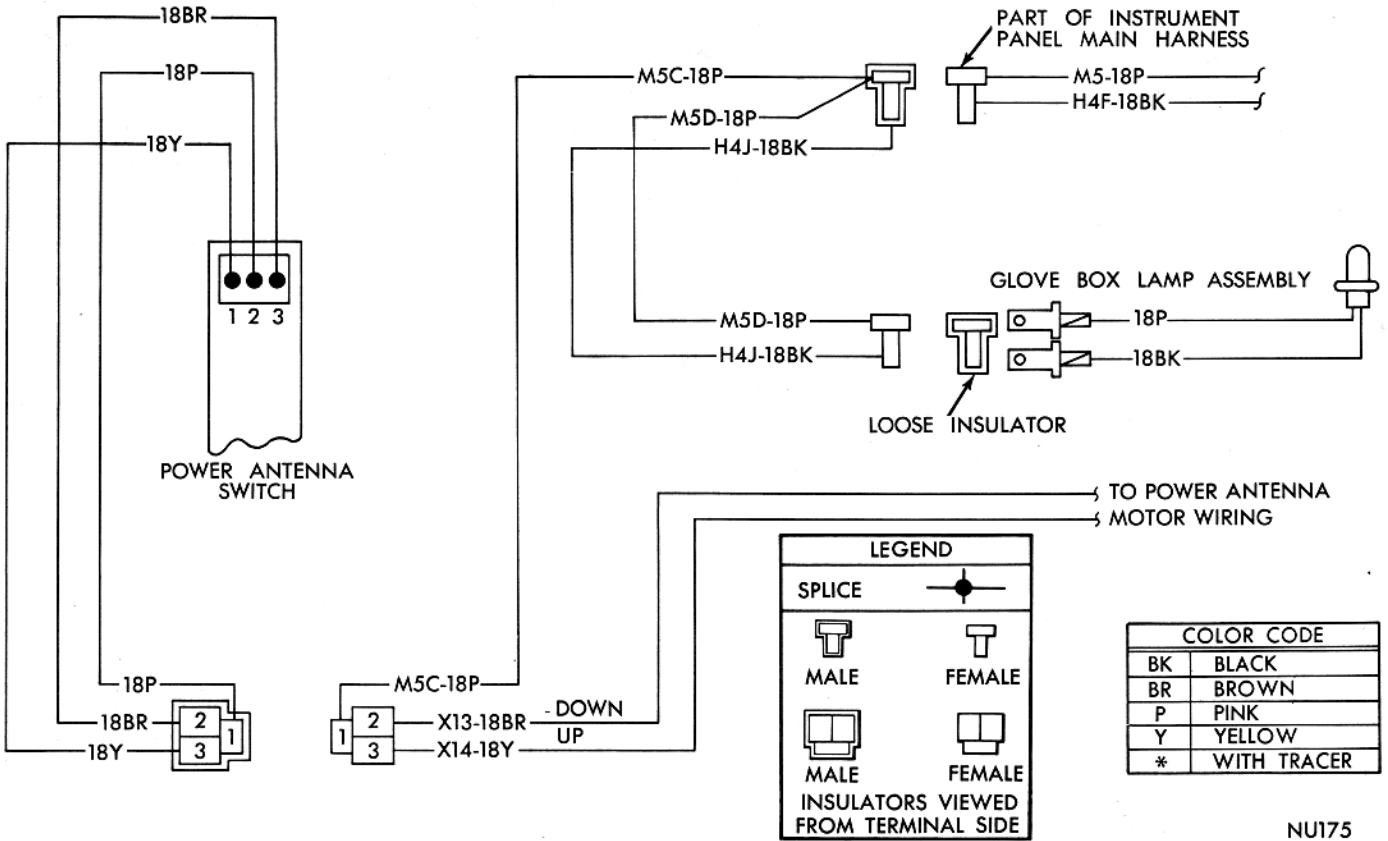


COLOR CODE	
BK	BLACK
BR	BROWN
DBL	DARK BLUE
DGN	DARK GREEN
GY	GRAY
LBL	LIGHT BLUE
LGN	LIGHT GREEN
O	ORANGE
P	PINK
R	RED
TAN	TAN
V	VIOLET
W	WHITE
Y	YELLOW
*	WITH TRACER

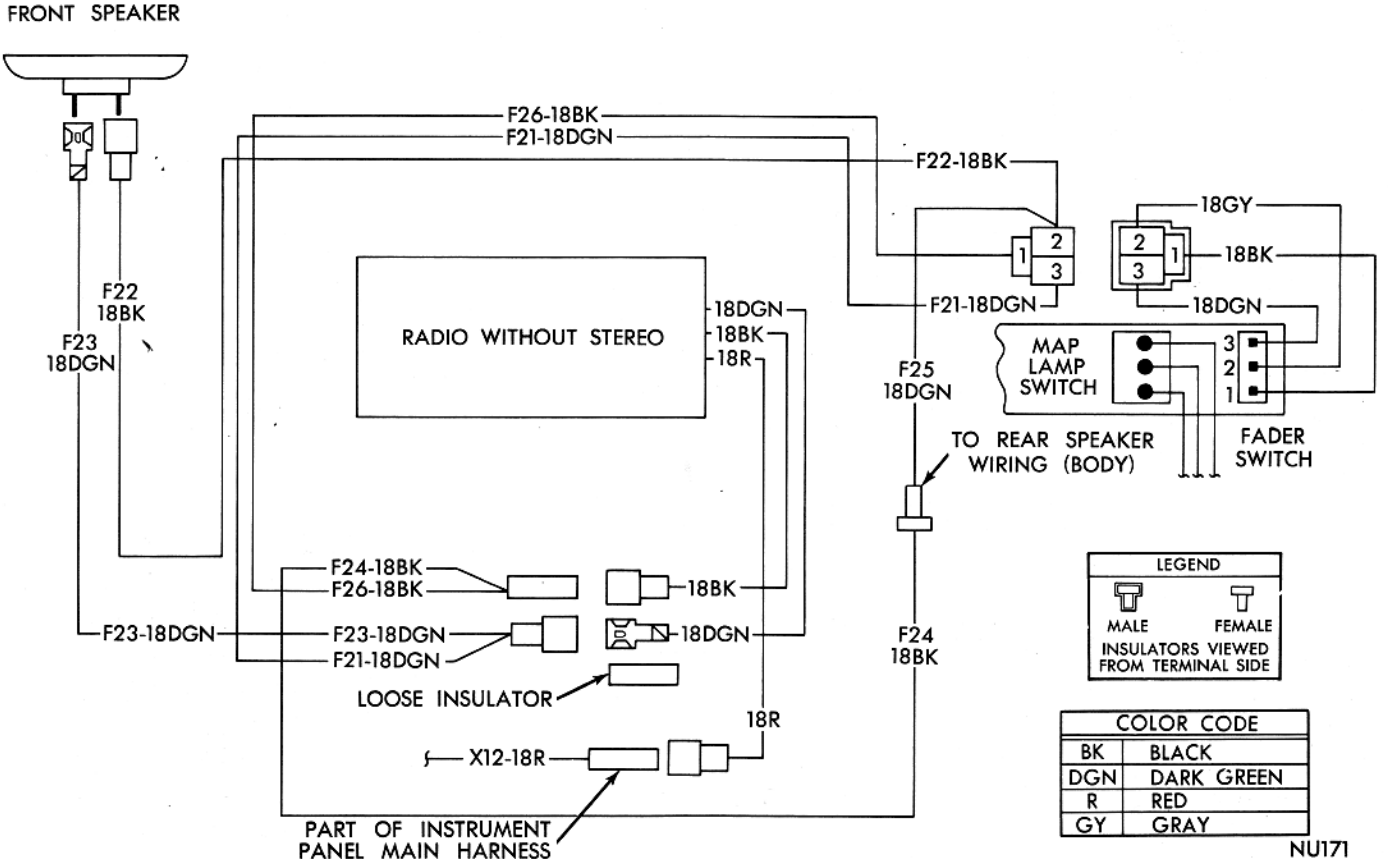


Fig. 12—Electric Window Lift, Power Vent and Door Lock Wiring Diagram—Chrysler





**Fig. 20—Power Antenna Switch Wiring Without Map Lamp—Except Convertible—Chrysler**



**Fig. 21—Rear Speaker Fader Control Switch Wiring Diagram—Chrysler**

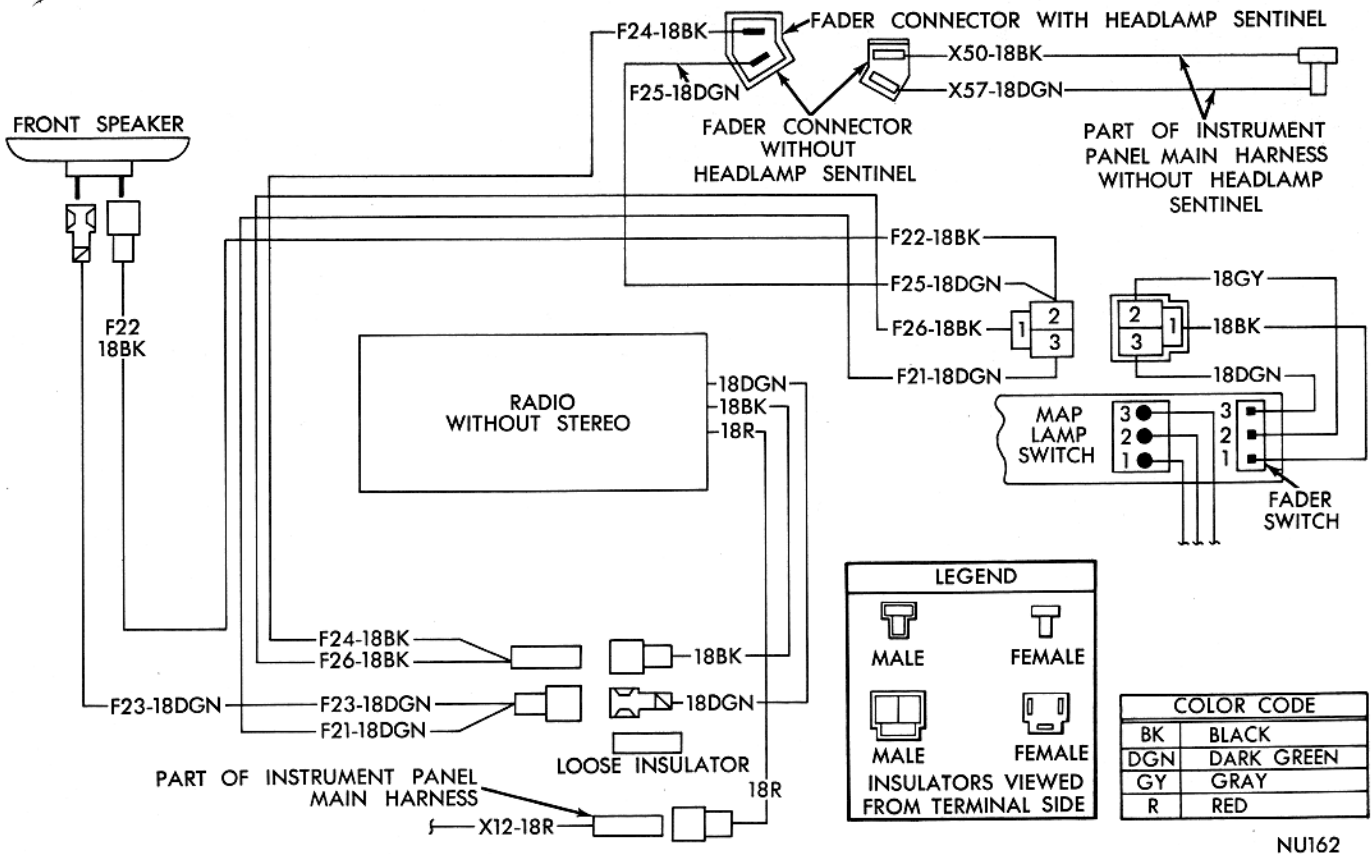


Fig. 22—Rear Speaker Fader Control Switch Wiring Diagram—Imperial

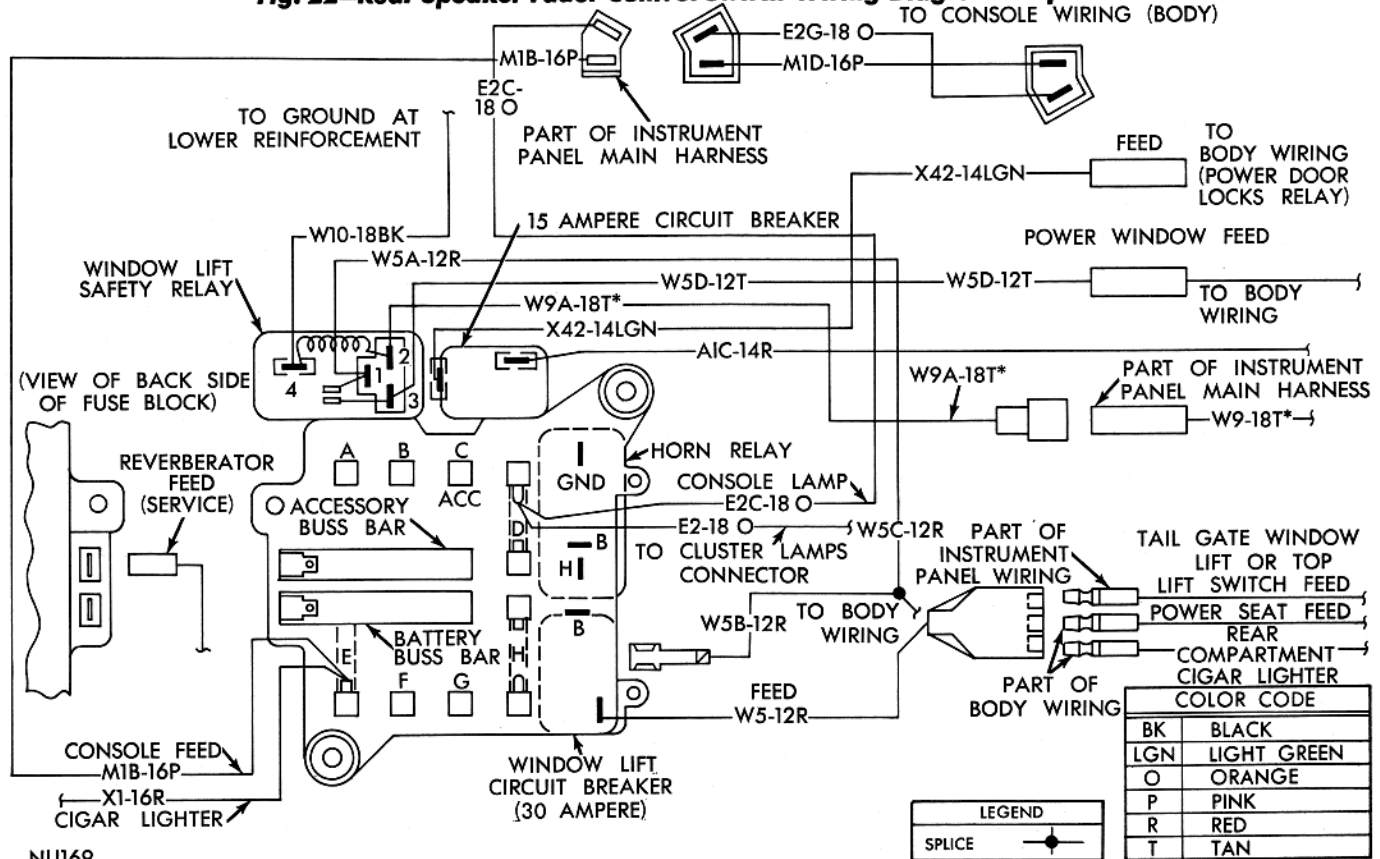


Fig. 23—Power Assist—Window Lifts—Door Locks and Seat Adjuster Wiring Diagram—Chrysler

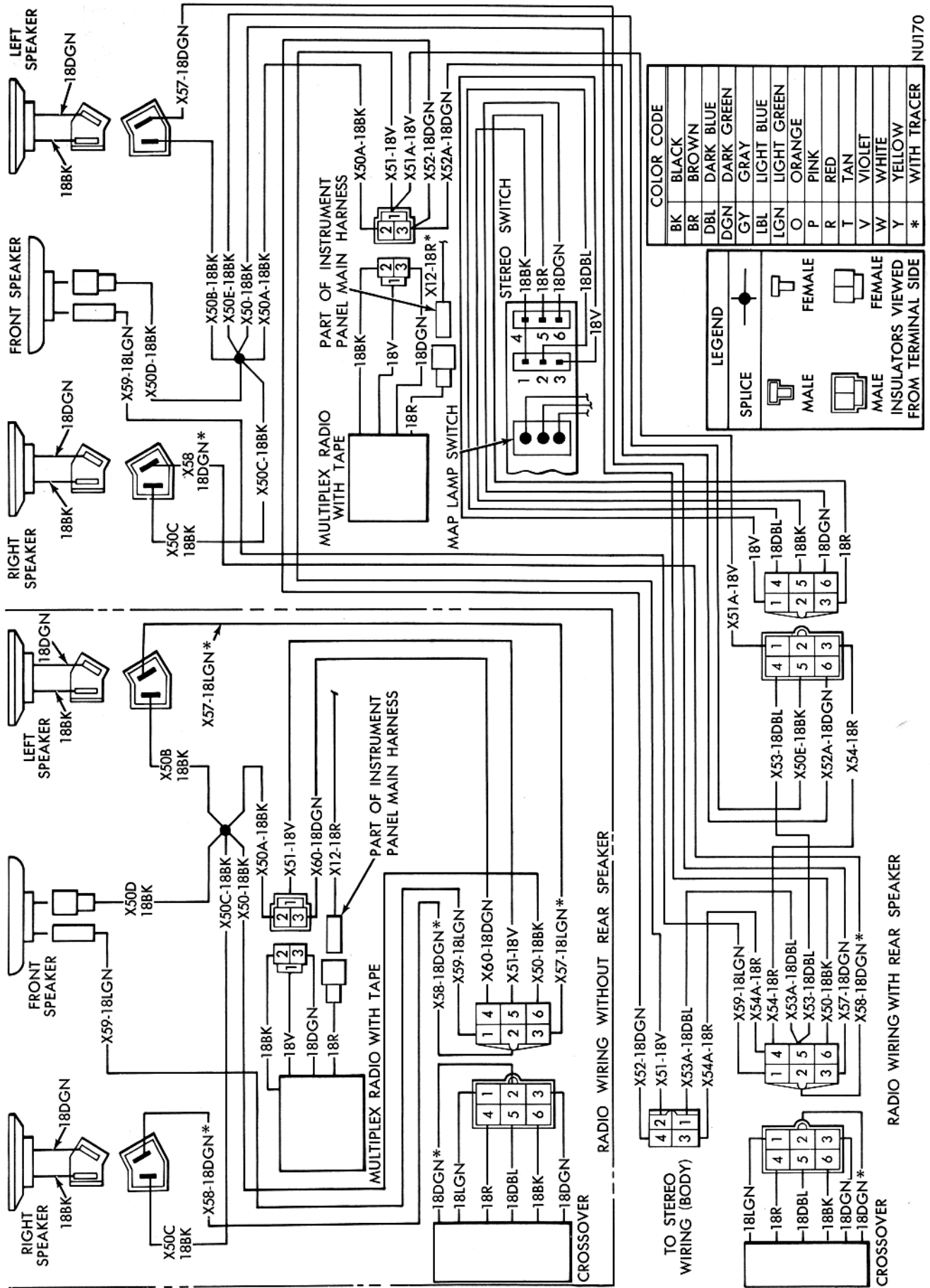


Fig. 24—Stereo Wiring Diagram—Chrysler

NUT170